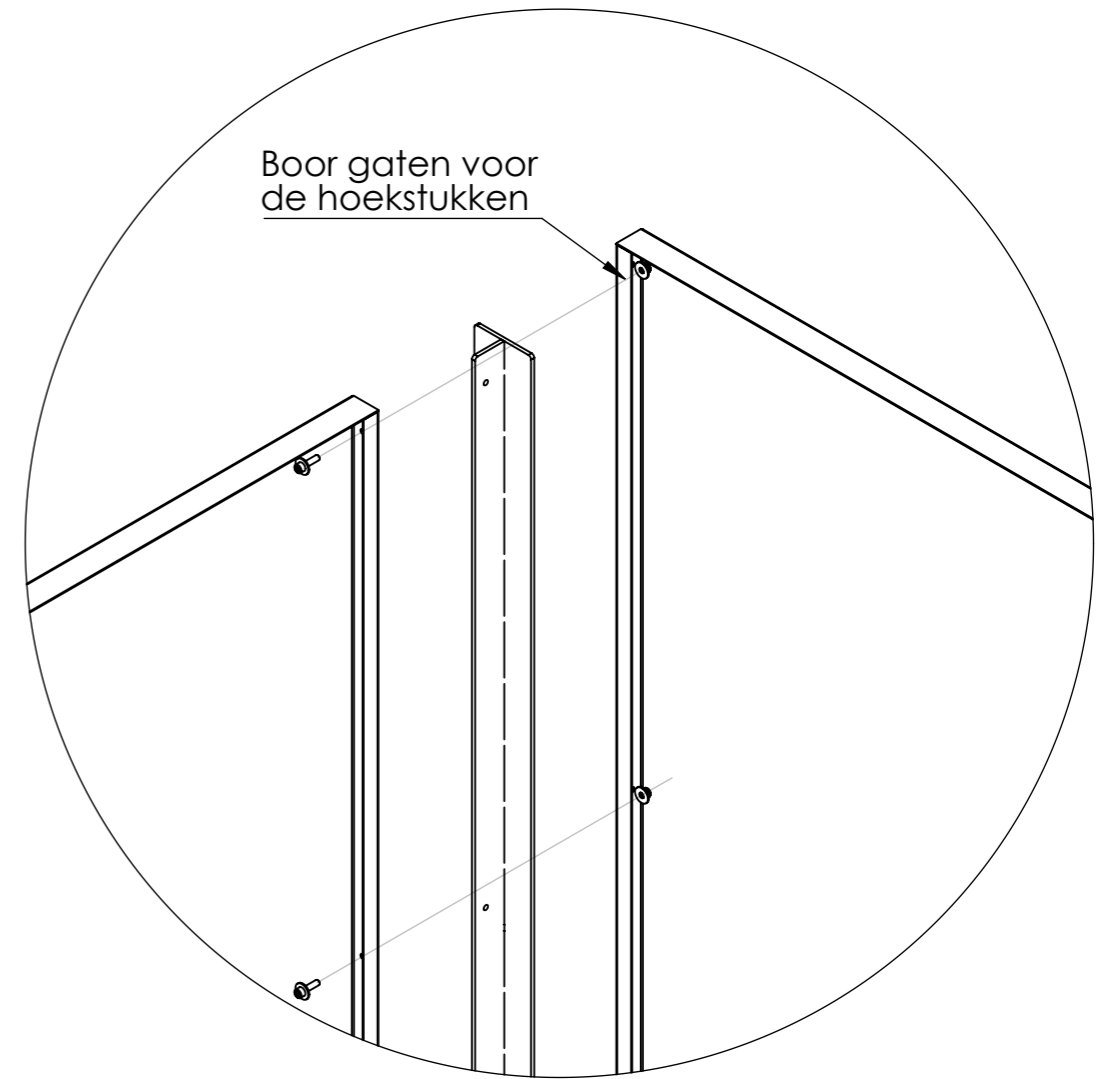




DETAIL 1



DETAIL 2

DRAWN	Perry Martens	DATE		TITLE:	
REVISION				Explanation	
			Liessentstraat 4, 5405 AG Uden (NL). † 0031 (0)413 - 27 41 68. e info@adezz.com, i www.adezz.com		Drawing.
WE PRODUCE GARDEN PRODUCTS FOR PROFESSIONALS			Color:	-	Mass (kg):
			SCALE:	No Scale Used	SHEET 1 OF 1
				Drawing. <b>Panels and poles</b>	
				<b>A3</b>	